



SOLID
TO SUCCEED



ROUGH TERRAIN SCISSOR LIFT

XG1523RT

Comply with CE

Standard configuration

- Foldable guardrail
- Platform self-locking door
- Dual slide-out platform extension deck
- Anti-slipping metal platform
- Boom safety maintenance support
- Pull-out engine tray
- Standard Forklift pocket for transport
- Lanyard connection point
- Fixing and lifting points
- 4-wheel drive
- Front-wheel steering
- Movement alarm
- Strobe light
- Electric horn
- Emergency stop button
- Fuel level display
- Full proportion travel and lift control
- High-altitude automatic limit travel protection
- Limiting position deceleration and limit protection
- Outrigger leveling system
- Hydraulic oil cooling system
- Tilt protection system
- Auto brake system
- Fault diagnosis system
- Emergency lowering system
- Leveling outrigger support detection system
- Engine condition monitoring and start protection system
- Weighing alarm system
- Axle oscillation system



Working height
15 meters



Lift capacity
680Kg



Diesel
power



Optional configuration

- High-altitude low speed travel
- Chassis protective fence
- Non-marking rubber tire
- Platform anti-collision
- Platform external power supply

XCMG FIRE-FIGHTING SAFETY EQUIPMENT CO.,LTD

No.17 Zhujiang East Road, Hi-Tech Development Zone, Xuzhou, Jiangsu, China
mewp@xcmg.com

XG1523RT

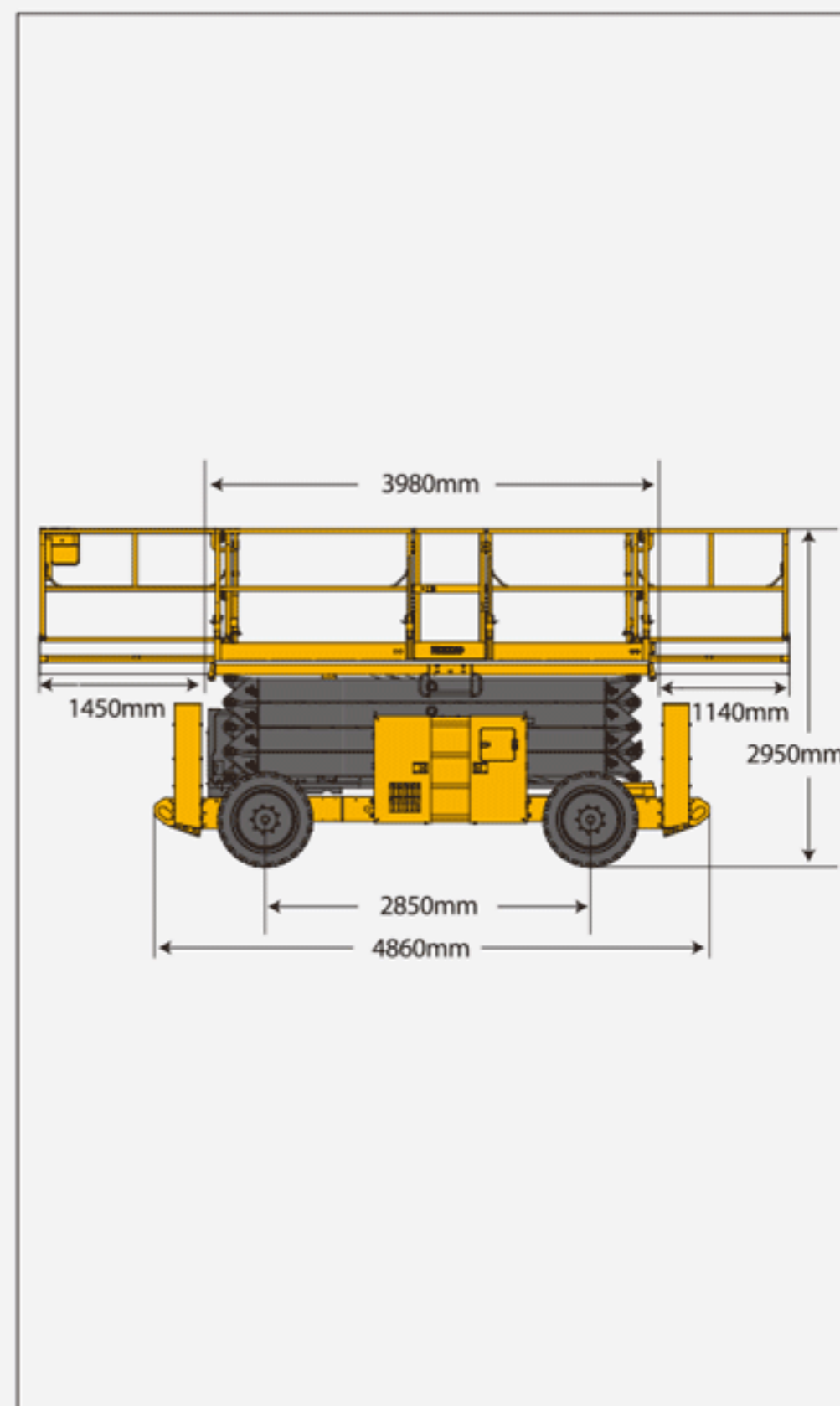


SOLID
TO SUCCEED

Rough Terrain Scissor Lift-Engine Powered

| Item | Metric |
|--|----------------------------------|
| Dimension | |
| Overall length (without ladder/outriggers) | 4860mm(—) |
| Overall width | 2286mm |
| Overall height (platform folded) | 2950(2290)mm |
| Platform length | 3980mm |
| Platform width | 1830mm |
| Subplatform extension length | 1450mm/1140mm |
| Guardrail height | 1100mm |
| Toeboard height | 150mm |
| Outrigger span (side to side/front and rear) | 1995mm/4280mm |
| Wheelbase | 2850mm |
| Min. ground clearance | 253mm(—) |
| Performance | |
| Max. working height | 15m |
| Max. platform height | 13m |
| Min. platform height | 1.8m |
| Max. driving height | 3m(Standard)/13m(optional) |
| Rated load | 680kg |
| Extended platform load | 230kg |
| Max. number of occupants (indoor/outdoor) | 7/7 |
| Max. driving speed in stowed state | 6.1km/h |
| Max. driving speed in working state | 0km/h(Standard)/11km/h(optional) |
| Max. slope grade | 40% |
| Min. turning radius (inside) | 2.5m |
| Min. turning radius (outside) | 5.6m |
| Work platform raising time | 45s |
| Work platform lowering time | 45s |
| Max. working slope (side to side/front and rear) | 2°/3° |
| Outrigger leveling angle (side to side/front and rear) | / |
| Power source | |
| Engine model | Kubota V2403 |
| Engine power/rpm | 36.8kW/(2700r/min) |
| Max. engine torque | 158N·m |
| Hydraulic tank capacity | 115L |
| Fuel tank capacity | 115L |
| Tire | |
| Tire size | 835mm×290mm |
| Tire ground pressure | 13.3kg/cm ² |
| Driving wheels | 4 |
| Braking wheels | 4 |
| Steering wheels | 2 |
| Weight | |
| Total weight | 7250kg |

Stowed



Trans

