

# XGR10J



**SOLID**  
TO SUCCEED

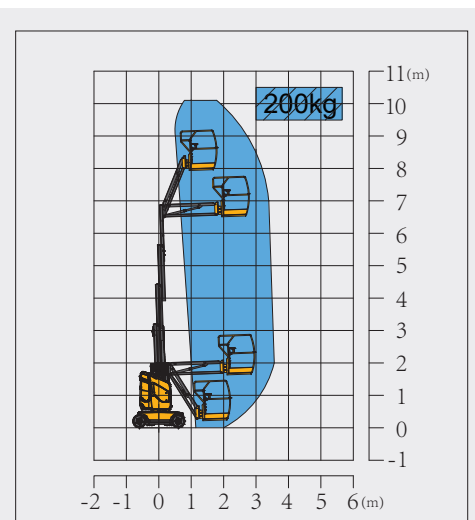
## Mast Lift-Electric

Item	Metric	
<b>Dimension</b>		
Overall dimension - stowed state	Length	3010mm
	Width	990mm
	Height	2000mm
Overall dimension - transportation	Length	3010mm
	Width	990mm
	Height	2000mm
Platform dimension	Length	850mm
	Width	900mm
	Height	1150mm
Wheelbase		1200mm
Fly jib length		1600mm
Min. ground clearance		90mm

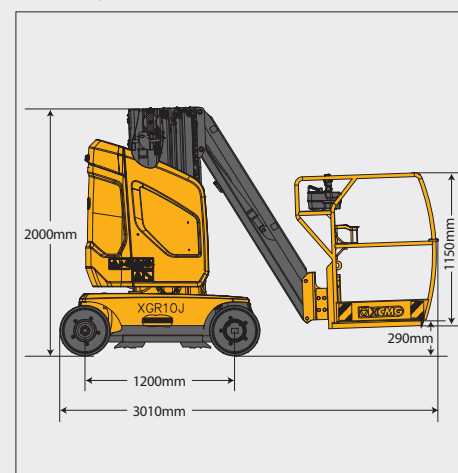
<b>Performance</b>	
Max. working height	10.1m
Max. platform height	8.1m
Max. working range	3.5m
Max. Up And Over Clearance	6.6m
Max. lift capacity	200kg (unlimited)
Max. number of occupants	2
Max. working slope	X-2.5° / Y-2.5°(front)2.5°(back)
Fly jib luffing range	-60°~66°
Turntable rotation	345°
Platform rotation	/
Total weight	3050kg
Driving speed (stowed)	5km/h
Driving speed (raised or extended)	0.6 km/h
Min. turning radius (inside/outside)	1300mm/2100mm (front) 700mm/1700mm (back)
Turntable tailswing (stowed)	120mm
Max. gradeability	25% (14°)

<b>Power source</b>	
Control	24V DC proportional control
Main power unit	2 kW/16 V
Traveling motor	1.1 kW/16 V
Main power source - battery	24 V/228 Ah
Main power source - charger	24 V/36 A
Hydraulic tank capacity	6L

<b>Tire</b>	
Tire size	406mm×125mm
Tire ground pressure	10.83kg/cm <sup>2</sup>
Driving wheels	2
Braking wheels	2
Steering wheels	2



Stowed / Trans





**SOLID**  
TO SUCCEED

**AS**

# MAST LIFT XGR10J

Comply with AS

## Standard configuration

- 2-wheel drive
- Lowering and moving alarm
- Tilt alarm
- Horn with adjustable volume
- Emergency stop of platform and chassis
- 2-wheel braking system
- Proportional joystick control
- Drive enable
- Full time positive traction drive
- Telematics pre-interface
- Anti-extrusion protection device
- Harsh environment kits
- Thumb rocker steering



Working height  
10.1meters



Lift capacity  
200Kg



Electric  
power



## Optional configuration

- Working light assembly
- Platform air pipe

**XCMG FIRE-FIGHTING SAFETY EQUIPMENT CO.,LTD**

No.17 Zhujiang East Road, Hi-Tech Development Zone, Xuzhou, Jiangsu, China  
mewp@xcmg.com